



www.edyn-marine.com

 **e'dyn**

ELECTRIC PROPULSION SYSTEMS AND ELECTRIC BOATS



Works boat: Elektro edyn 1120, Alu 550
Client: HE spodnja Sava



Basic points:

- Durable boat for 6 people
- Transport trailer included in the price
- Roof for shade due to work with Pc
- PC table
- PC socket yes
- Aluminum version
- Sailing speed from 6 km / h to 20 km / h
- Electric outboard 11kW
- Autonomy up to 6.5 hours when driving up to 6 km / h
- Charging time 3-4 hours
- Purpose of use sounding, if necessary transport up to 6 people
- The probe in the water, when not in use out of the water, is stored outside the boat
- 2 GPS antenna bow and stern
- Annual use cc. 200 hours





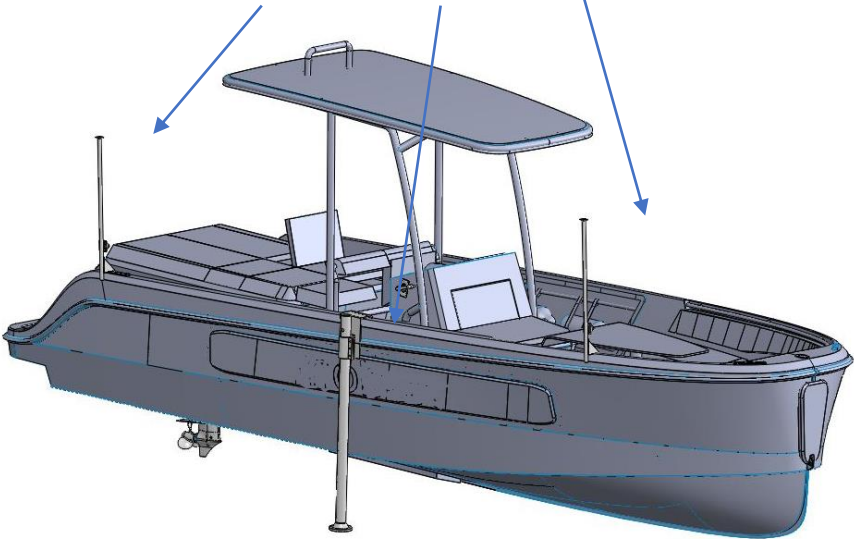
Works boat: Elektro edyn 1120, Alu 550

Client: HE spodnja Sava

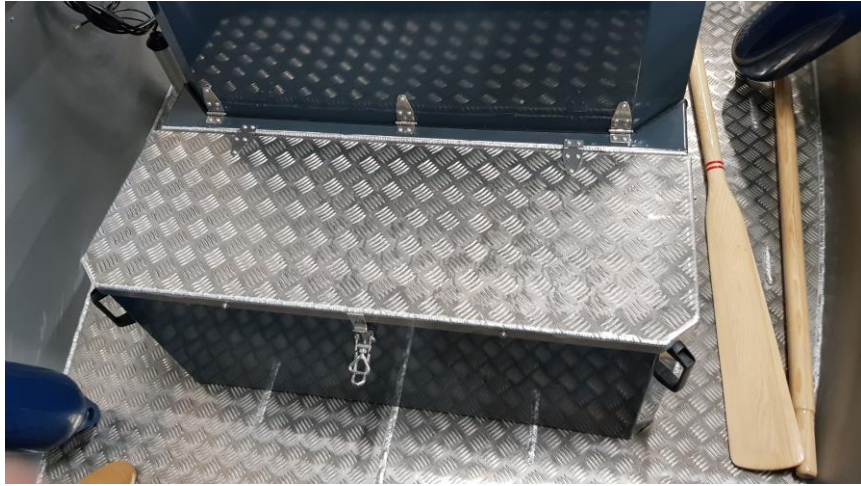
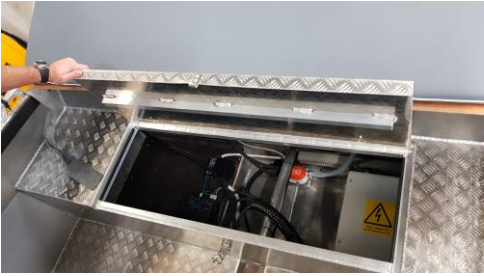
General Description of the Boat	
Material	Alu
Material thickness	4 mm
Length	550 cm
Width	217cm
Ugrez	0,29m
Nr. people	6
The weight of the boat	ca. 446
Max. engine power	66,2 kW
Roof	Yes
A table	Yes
Trailer with brake	Yes
PC connectors, Sonar ..	Yes
Sonar carrier	Yes
The drive	EDYN 1120
Engine power	11 kw/ 15 kw
Cooling / water / closed system	Yes
Trim / electric	Yes
Battery	8,1 KW LION
Battery charging speed to 100%	3,4 hour
Sailing speed	up 15 km/h
Autonomy	up 6,5 ure by 6 km/h
Delivery time	3-4 month
Warranty	24 month

Slike so simbolične

Installation of sonar and GPS antennas.



Assembly of components



"Rent" boat Boden See / Zürich See SP 7.0 with edyn 1120
Client: Swiss boat rental company

Test SP 7.0 7.4.20



Basic points:

- Durable boat for 8 people
- Emphasis on passenger comfort
- Easy to use
- Lots of areas for lying down, sitting
- Sailing speed from 6 km / h to 15 km / h
- Electric outboard 11kW
- Autonomy up to 6.5 -10 hours when driving up to 6 km / h
- Charging time 3-4 hours
- Boat weight over 1,500 kg



Speedwave 7.0 with edyn 1120 in action



Venice edyn 1120

Client: Venice Electrification Company



Basic points:

- Boat for 4 people
- Elegant and useful
- Great combination with the 1120 engine
- 11 kW power approx. 20 PS
- Speed up to 30 km / h
- Autonomy up to 3-6 hours, at slow speed
- Charging 3.5 hours







Edyn 1120 5.2 Venice 2020- Hotel for boat presentation / electrification



Sailing boat VSR with edyn 1120
Client: Sailing company



Basic points:

- Boat for 4-6 people
- Easy to use
- Working boat for sailing people
- Sailing speed from 6 km / h to 26 km / h
- Electric outboard 11kW and battery 8,6 kWh
- Autonomy up to 6.5 -10 hours when driving up to 6 km / h. With electric generator 3.3. kW
- Charging time 3-4 hours
- Boat weight 200 kg, carbon



VSR 5.4 edyn 1120



Our contact



E'DYN

*Lesarska cesta 10
SI-3331 Nazarje
Slovenia*

*Phone: +386 3 839 15 30
E-mail: info@edyn-marine.com*

www.edyn-marine.com